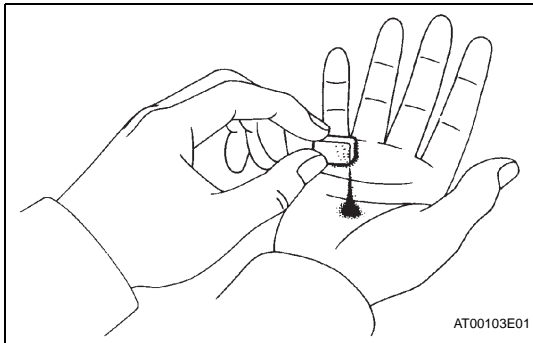
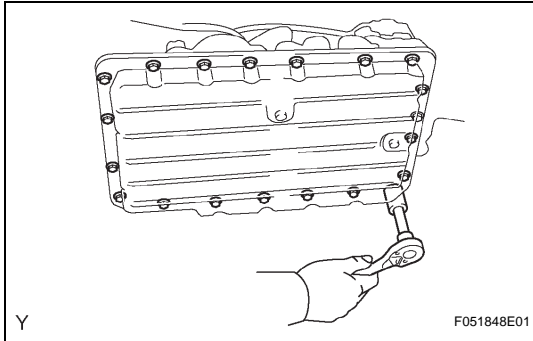


REMOVAL

1. **DISCONNECT CABLE FROM NEGATIVE BATTERY TERMINAL**
2. **DRAIN AUTOMATIC TRANSMISSION FLUID**
 - (a) Remove the drain plug and gasket, and drain ATF.
 - (b) Install a new gasket and the drain plug.
Torque: 28 N*m (285 kgf*cm, 21 ft.*lbf)

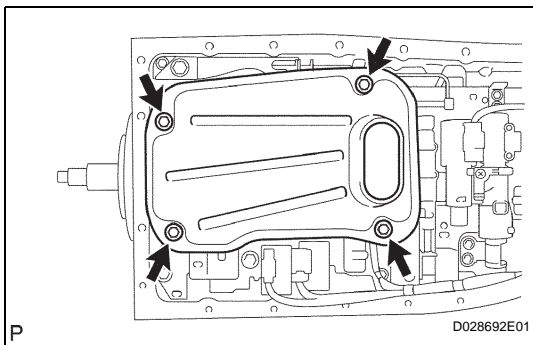


3. **REMOVE AUTOMATIC TRANSMISSION OIL PAN SUB-ASSEMBLY**

NOTICE:

Some fluid will remain in the oil pan.

- (a) Remove the 20 bolts and oil pan.
 - (b) Examine the particles in the oil pan.
 - (1) Remove all the magnets and use them to collect steel particles. Carefully look at the foreign matter and particles in the pan and on the magnets to determine the type of wear you will find in the transmission.
 - Steel (magnetic): bearing, gear and clutch plate wear
 - Brass (non-magnetic): bushing wear

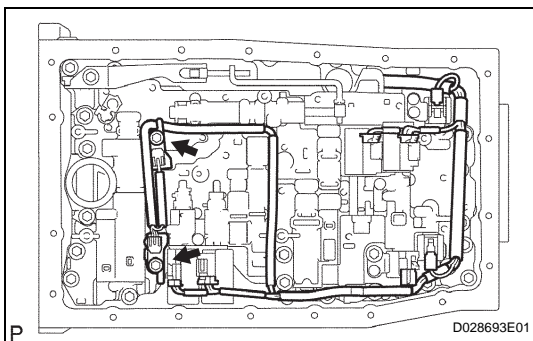


4. **REMOVE VALVE BODY OIL STRAINER ASSEMBLY**

- (a) Remove the 4 bolts and oil strainer.

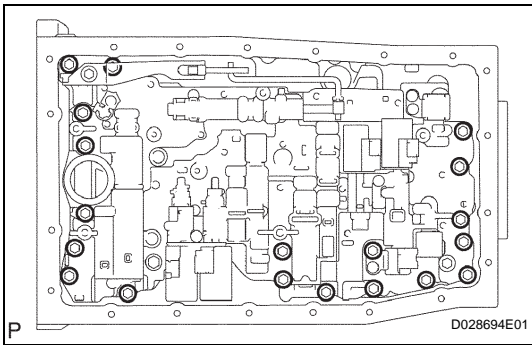
NOTICE:

Be careful as some fluid may leak out of the oil strainer.



5. **DISCONNECT TRANSMISSION WIRE**

- (a) Remove the 2 bolts and 2 clamps.
- (b) Disconnect the ATF temperature sensor.
- (c) Disconnect the 7 connectors from the solenoid valves.



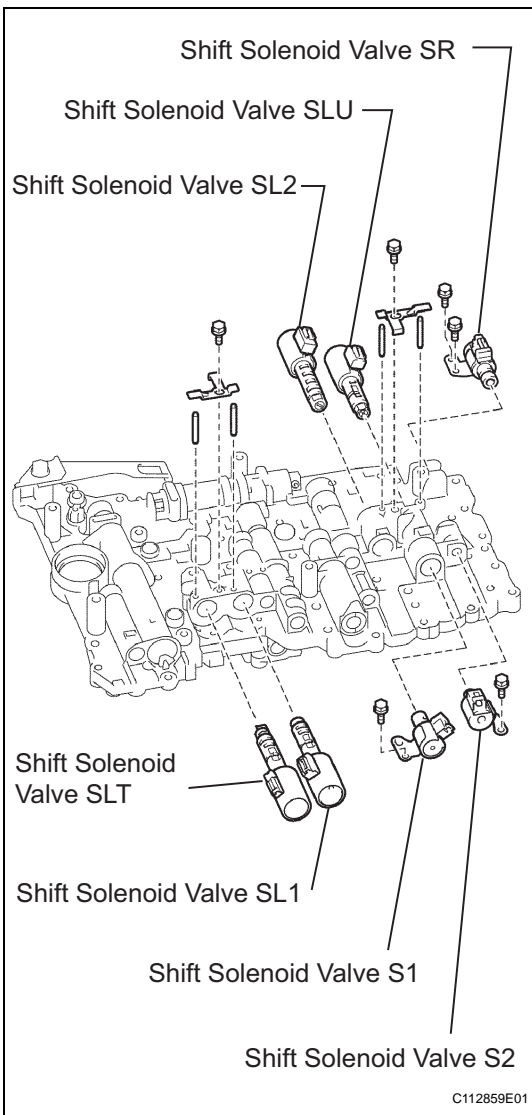
6. REMOVE TRANSMISSION VALVE BODY ASSEMBLY

- (a) Remove the 19 bolts and valve body.
- (b) Remove the 3 drum seal gaskets.

DISASSEMBLY

1. REMOVE SHIFT SOLENOID VALVE

- (a) Remove the bolt, lock plate, 2 pins and shift solenoid valves SLT and SL1.
- (b) Remove the bolt, lock plate, 2 pins and shift solenoid valves SLU and SL2.
- (c) Remove the 2 bolts and shift solenoid valve SR.
- (d) Remove the bolt and shift solenoid valve S1.
- (e) Remove the bolt and shift solenoid valve S2.



AT